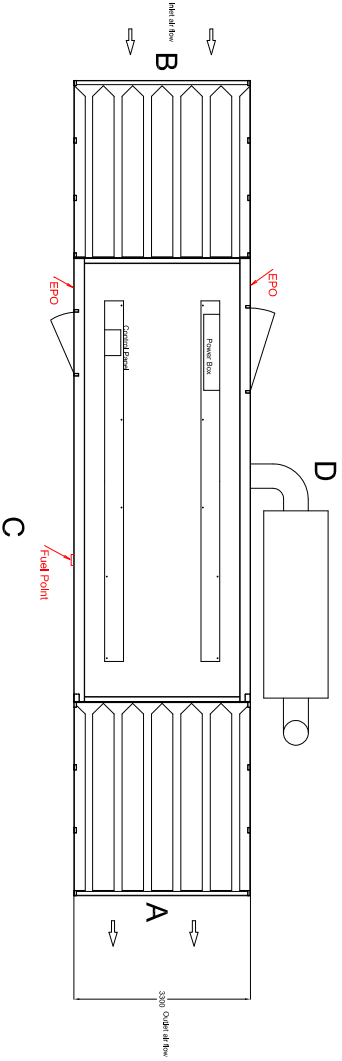
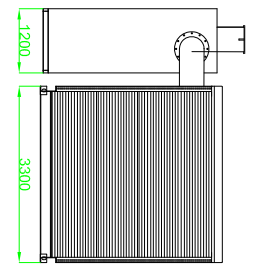


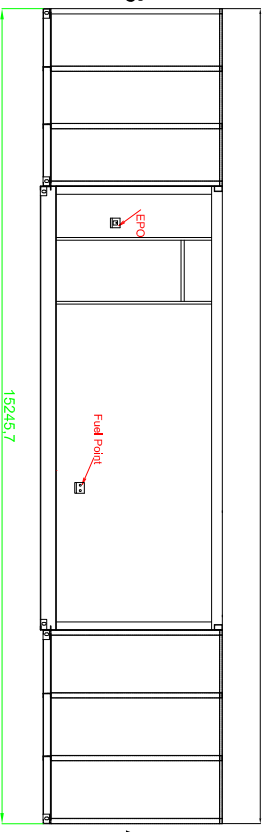
View on D



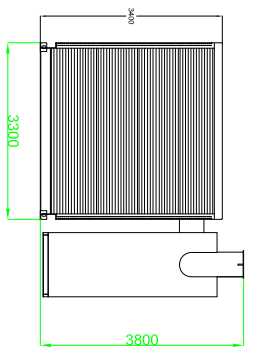
View on C



View on B



View on A



View on A

NOTES
ATTENUATED SHEET STEEL CONTAINER
FINISHED IN MOSS GREEN

SCALE	1:50 @ A1	DATE	18/11/16	DRWN	CKAM	CHECKED	CK	APPROVED	AJ			
ECCLESFIELD (GRID REF: SK363944) LEFT HANDED GAS GENERATOR												
REVISION	NO.	DATE	BY	CHKD	DESCRIPTION							
<table border="0"> <tr> <td style="text-align: right;">PEAK POWER CONNECTIONS LTD</td> <td rowspan="2" style="text-align: center; vertical-align: middle;"> </td> </tr> <tr> <td style="text-align: right;">G000240-1016-B_D14</td> </tr> </table>										PEAK POWER CONNECTIONS LTD		G000240-1016-B_D14
PEAK POWER CONNECTIONS LTD												
G000240-1016-B_D14												