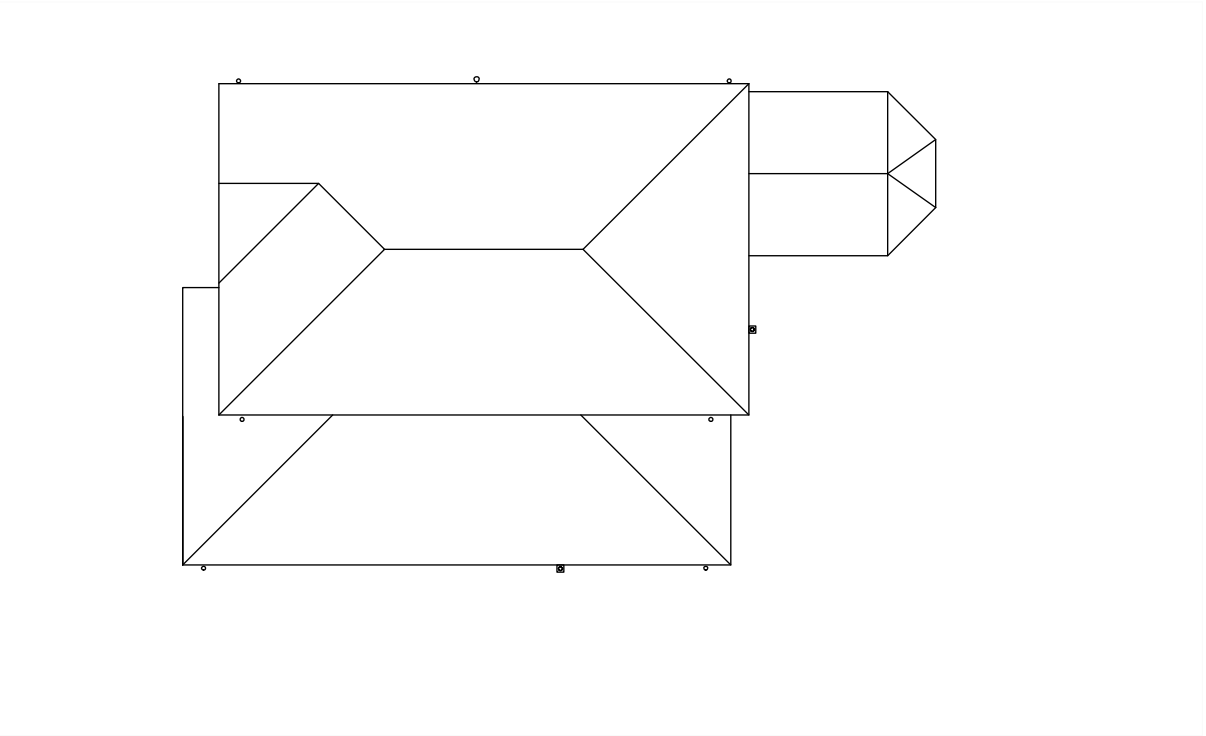
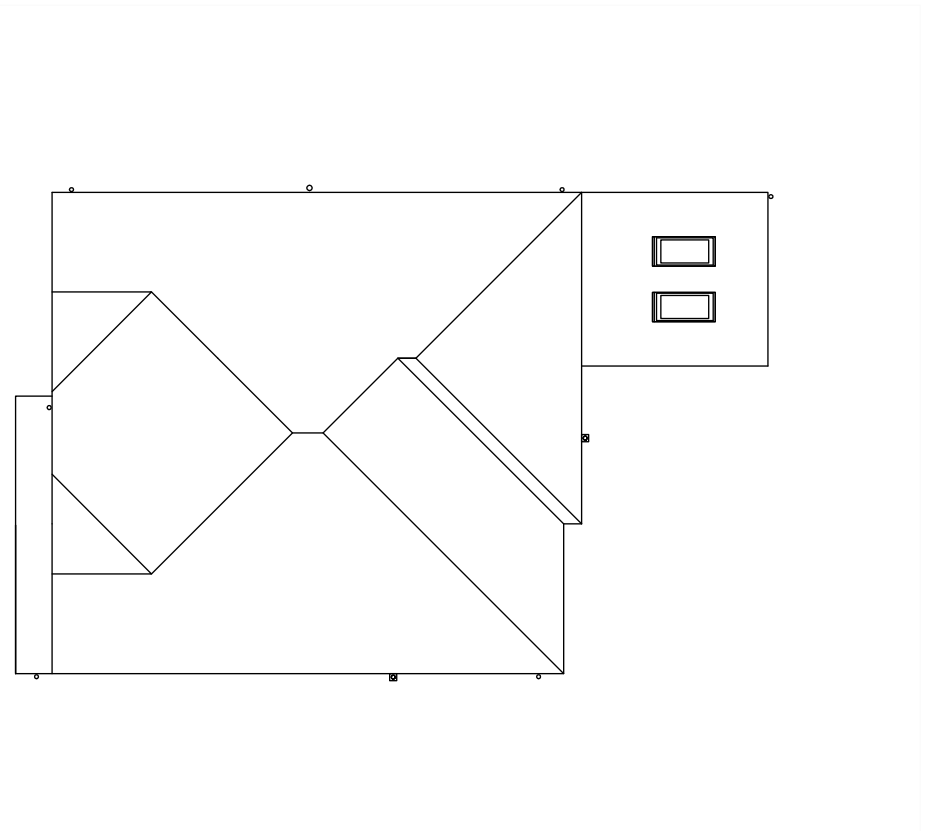


**Existing**



**Proposed**



Subject to Planning & Building Regulation Approvals, & Structural Engineer's Survey/Calculations

**Notes**

1. Do not scale off this drawing. All dimensions are approximate and must be checked and verified by the contractor and client prior to commencing on site. All drawings read in conjunction with Planning and Building Regulations specification. Pre-construction information and structural calculations.
2. 100mm coursed brickwork and mortar to all elevations to match existing. Roof tiles to match existing. Ensure all brickwork features are duplicated to match the existing property. The all window head and sill heights through with the existing where possible.
3. All materials and features to satisfaction of Local Authority Planning Officer. Samples must be provided and approved prior to work commencing.
4. The existing construction has been assessed without any intrusive investigation. Therefore, the contractor should allow time within the construction programme for the following opening up areas where work to be carried out prior to ordering any materials ensuring the construction is as assumed and in conjunction with any structural calculations. Attention to drawings and/or production of structural calculations with subsequent approvals where construction not as assumed, all to the satisfaction of the Building Inspector. Assumed existing construction: 102.2mm brickwork, 75mm cavity, 100mm blockwork.

**Attollo Building Design**

6 Penyghent Close  
Chapelton  
Sheffield, S35 2YN  
Tel: 0114 449027  
Mobile: 07905442027  
Email: attollo@sky.com  
Web: www.attollobuildingdesign.co.uk

**Address**

36 Chelton Hill Rise, Sheffield, S35 2PU

**Project**

First Floor & Single Storey Rear Extensions, Internal Alterations,  
Garage Conversion & Disabled Garage

**Date**

04.03.2017

**Drawing Title**

Existing and Proposed Roof Plans

**Drawing No.**

P17/07

Scale 1:100 @ A3